

Iron CoaXPress 253

Iron CoaXPress Small Form Factor, Ruggedized Camera

Innovative Approach

The **Iron CoaXPress 253** is an ultra-thin high speed, low-cost, low-power global shutter CMOS camera with a micro-BNC interface which supports 12.29 MP high quality video at rates up to 63.8 fps.

Intelligent Design

Our camera incorporates Pregius's IMX253 global shutter sensor with a 3.45 μ m pixel size. With an extremely compact outline the **Iron** can be fitted into tight spaces. Superior sensor performance allows very low light vision capabilities.

Applications:

- Perimeter vision
- Low light surveillance
- Special Effects
- Virtual Reality
- 3D

Key Features:

- 12.29 Megapixel up to 63.8 fps
- Monochrome and Color models
- Up to 3.2W power at full rate
- Full image processing feature set
- Optional Pan/Tilt alignment of the sensor
- Up to 12.5 Gbps CoaXPress interface
- C / CS / EF or DC Auto Iris mounts available
- Full EMVA1288 report
- Full built-in self-test (BIT)
- Full built-in voltage testing
- Customization as per user requirements

Technical Data

Feature	Description
Pixel Size	3.45 μm x 3.45 μm
Resolution	4096 (H) x 3000 (V)
Sensor Size	17.5 mm diagonal
Sensor	Sony Pregius IMX253 CMOS sensor
Output Interface	6.25 Gbps CoaXPress 1.1, 12.5 Gbps CoaXPress 2.0
Interface Connector	Micro-BNC
Output Resolution	8, 10 or 12 bit
Max Frame Rate	63.8 fps @8 bit resolution 63.8 fps @10 bit resolution 45.5 fps @12 bit resolution
Image Acquisition	Continuous / Triggered
Camera Control	Gen<i>Cam
Electronic Shutter	Global shutter
Sensor Positioning	Full pan/tilt calibration for optical axes (optional)
Monochrome/ Color	Monochrome / Color
Temporal Noise	< 2.2 e ⁻ @25°C
Full Well Charge	9828 e ⁻
Dynamic Range	> 70.8dB @520nm
Signal-to-Noise Ratio (SNR max)	40 dB @520nm
Quantum Efficiency (QE) X FF	> 63% @525nm
Shortest Exposure	10 μs
On camera processing	<ul style="list-style-type: none"> ▪ Defect pixel correction ▪ ROI ▪ Frame counter ▪ Flat field / Fixed patter noise correction ▪ Auto/Manual black level ▪ Auto Exposure/Gain ▪ Auto/Manual White balance ▪ Image flip ▪ LUT ▪ Gain (Analog / Digital) ▪ Binning ▪ Operational Time Counter
GPIO Connection	Two inputs, two outputs, external trigger & strobe controller (optional)

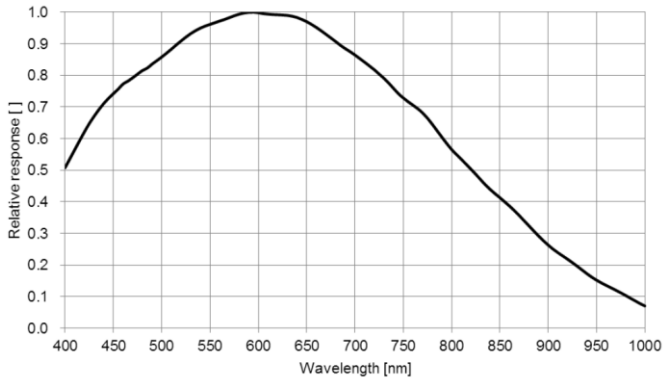
Mechanical & Electrical

Feature	Description
Dimensions (including lens mount)	44 mm x 44 mm x 35.3 mm (Height x Width x Depth)
Lens Mount	C-mount, CS-mount, EF-mount or DC Auto Iris lenses
Weight (without lens)	~50g
Power Input	PoCXP full support (7-28V with external power option)
Power Consumption	<3.2W @ 24V DC
Operating Temperature	-30°C to 70°C, 20-85% humidity (non-condensing)
Storage Temperature	-30°C to 75°C, 20-85% humidity (non-condensing)
Ingress Protection	Optional IP67 (with protective lens tube)
Operational Shock	Tested per MIL-STD-810G Method 516.6, 3-axis Shock 75G
Operational Vibration	Tested per MIL-STD-810G Method 514.6, 3-axis Vibration Category 20

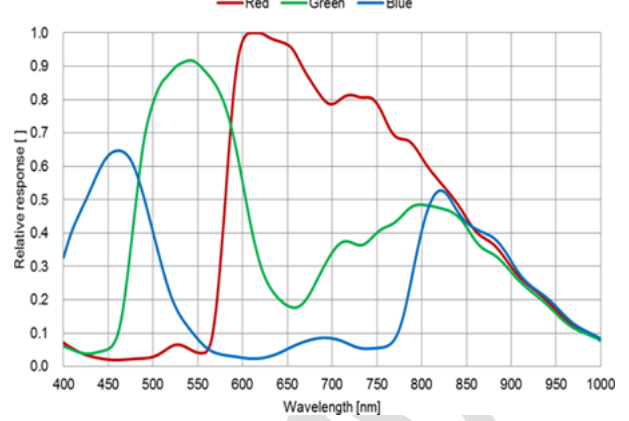
* KAYA Instruments reserves the right to update the data sheet from time to time without prior notice.

Absolute Quantum Efficiency

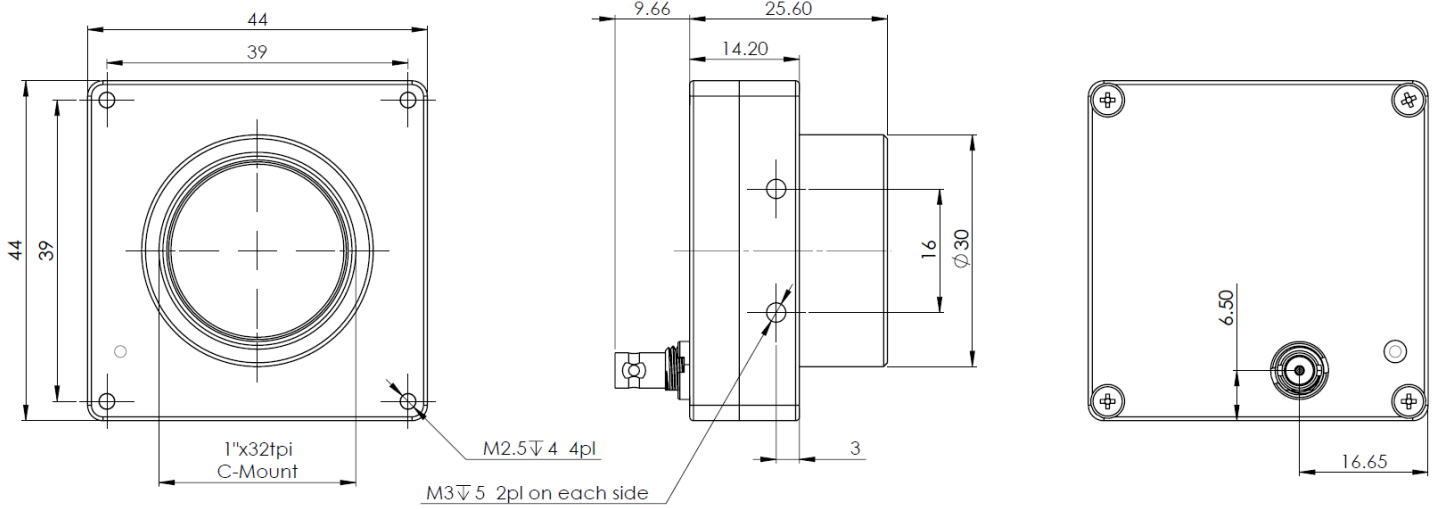
Pregius's IMX253 Mono Spectral Response



Pregius's IMX253 Color Spectral Response

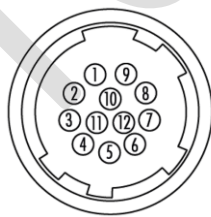


Mechanical Drawings



General Purpose Input Output**

GPIO Pinout – 12 Pin Hirose Connector



- | | |
|--------------------|-----------------|
| 1. 5 VDC Return | 7. OUT1 (TTL) |
| 2. +5 VDC | 8. IN1 (OPTO) |
| 3. Reserved | 9. IN2 (LVTTTL) |
| 4. Reserved | 10. IN1 RTN |
| 5. OUT2 RTN (OPTO) | 11. IN2 RTN |
| 6. OUT1 RTN | 12. OUT2 (OPTO) |

** GPIO is optional and will affect the mechanical dimensions of the camera, adding about 3.5 mm to its thickness.

Compatibility

KAYA Instruments creates and maintains compatibility and interfaces for the most common and advanced vision image processing libraries and applications. Major support is available for **MVTec Halcon**, **National Instruments' LabVIEW** and **MathWorks' MATLAB**.

❖ Supported vision standards:



❖ Supported vision libraries:



❖ Supported operating systems:



Please check our website for an up-to-date list of other supported libraries and software package

Contact Us

Please feel free to contact our team with any question or further inquiry at info@kayainstruments.com – we will be happy to provide assistance and consultation.

KAYA Instruments

20 HaMesila St., Nesher 3688520, Israel
POB 25004, Haifa 3125001, Israel

Tel: +972-72-272-3500
Fax: +972-72-272-3511



© 2017 KAYA Instruments, Inc. All rights reserved. KAYA Instruments, the KAYA Instruments Komodo logo, JetCam logo, Predator, Iron and combinations thereof are trademarks of KAYA Instruments, Inc. in the United States and/or other jurisdictions. Microsoft Windows is a registered trademark of Microsoft Corporation. Other names are for informational purposes only and may be trademarks of their respective owners. KAYA Instruments is not liable for harm or damage incurred by information contained in this document

